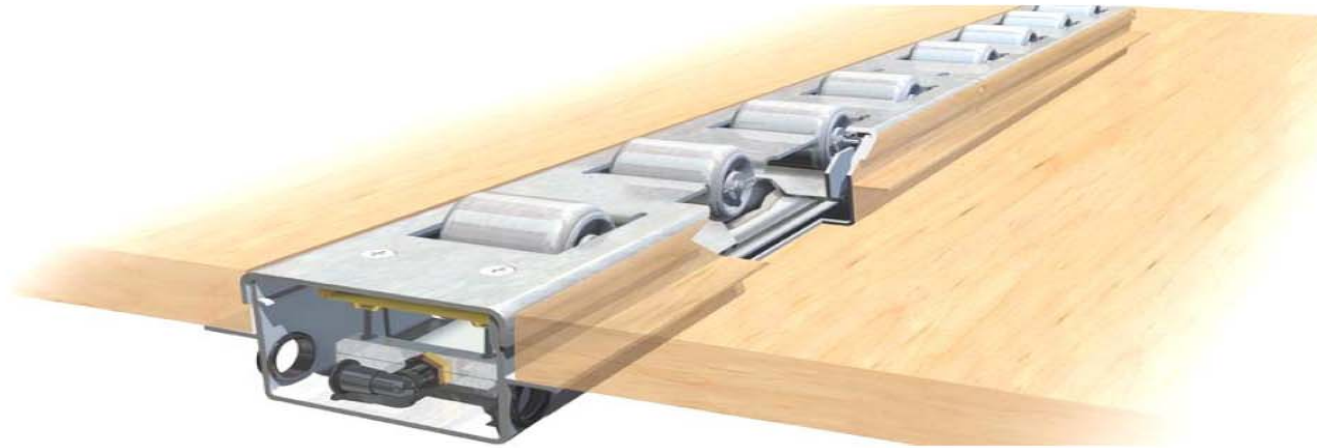


RETRACT-A-ROLL® II



PARTS CATALOG

65010-10

REVISION A



Ancra International, LLC
2685 Circleport Drive
Erlanger, KY 41018 USA

TOLL-FREE: (800) 929-2627

LOCAL: (859) 371-7272

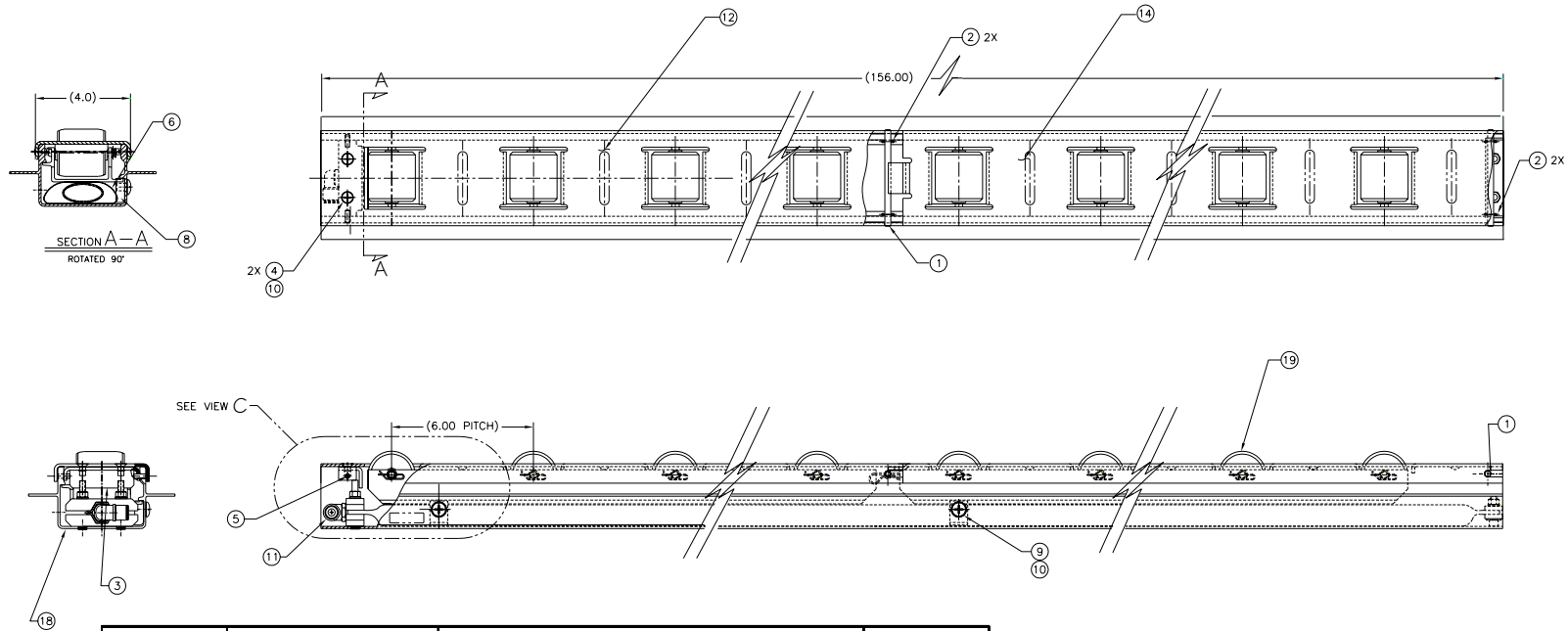
FAX: (800) 347-2627

2007 ®

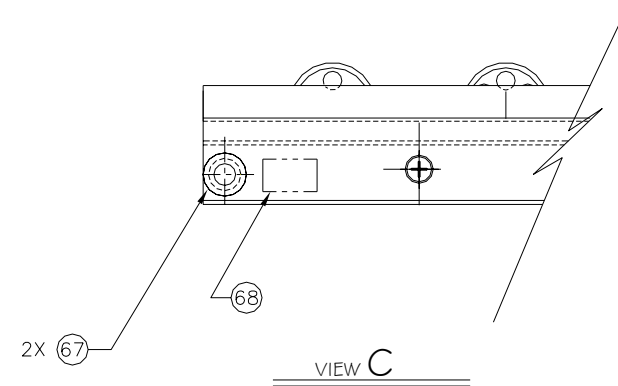
TABLE OF CONTENTS

	PGS.
TOP ASSEMBLIES.....	1-12
AIR TANK/FITTINGS KITS.....	13
CONTROL BOX 62011-13P.....	14
CONTROL BOX 62011-10P.....	15
CONTROL BOX BRACKET.....	16
PALLET STOPS.....	17

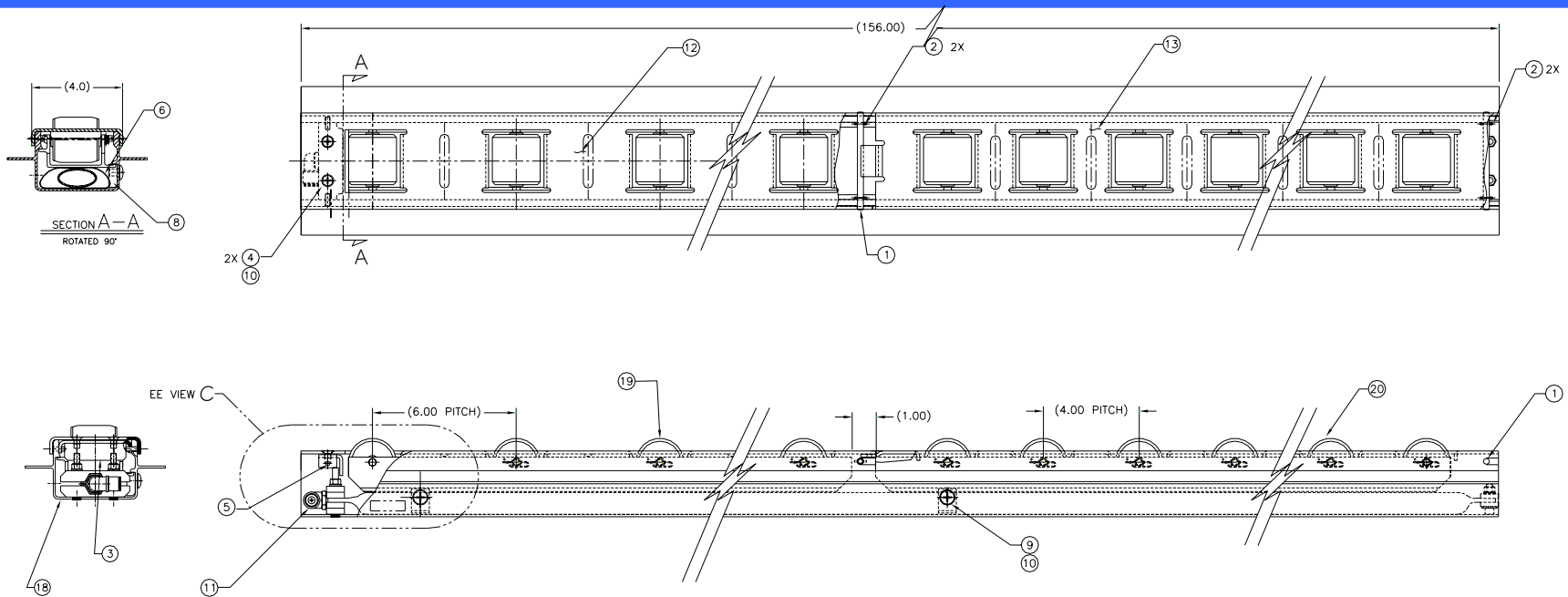
62022-20 ASSEMBLY



ITEM NO.	PART NO.	NOMENCLATURE	QTY.
1	62020-10	PIN, COVER PLATE RETAINER	2
2	1530PAC0506	PIN, SPIROL-STANDARD DUTY	4
3	62019-12	END BLOCK, CHANNEL	1
4	93085A557	SCREW, FLAT HEAD PHILLIPS	2
5	91385A355	SET SCREW, SELF LOCKING	2
6	62024-12	SLEEVE, AIR BAG PROTECTOR	1
8	47410-11	STOP, ROLLER TRAY	2
9	90271A578	SCREW	2
10	242	THREAD LOCKER	A/R
11	62021-10	AIR BAG ASSY.	1
12	62017-11	COVER PLATE, FRONT	1
14	62017-10	COVER PLATE, REAR	1
18	62018-10	CHANNEL	1
19	60108-37	TRAY ASSEMBLY	2
67	452	GROMMET	2
68	49219-10	NAME PLATE	A/R

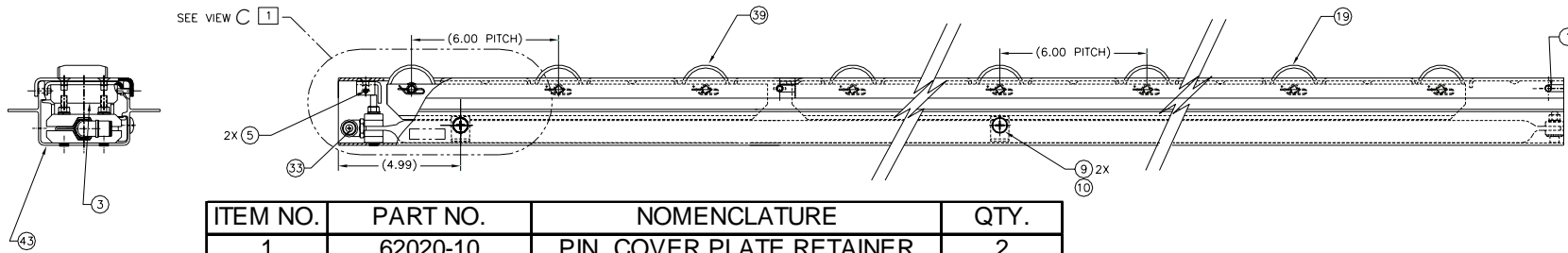
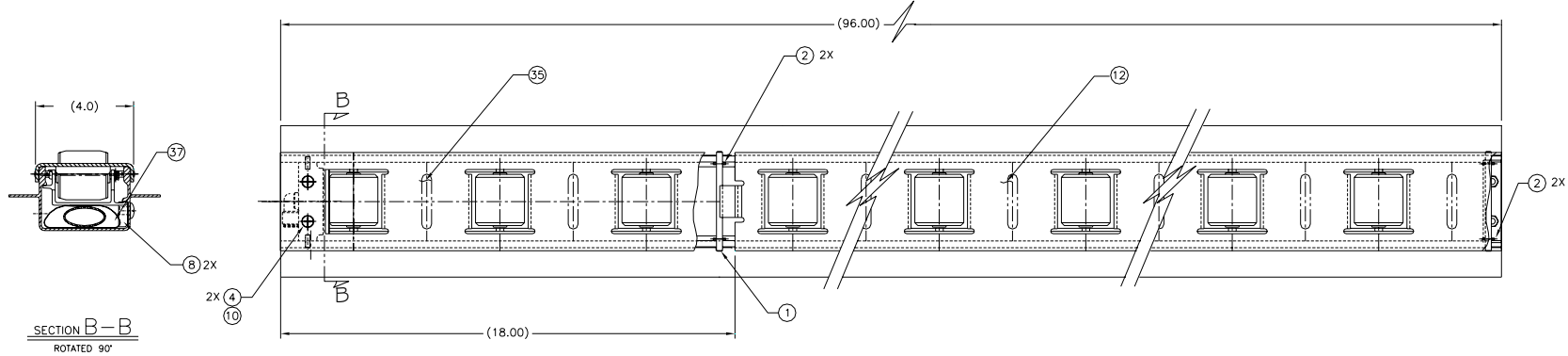


62022-21 ASSEMBLY

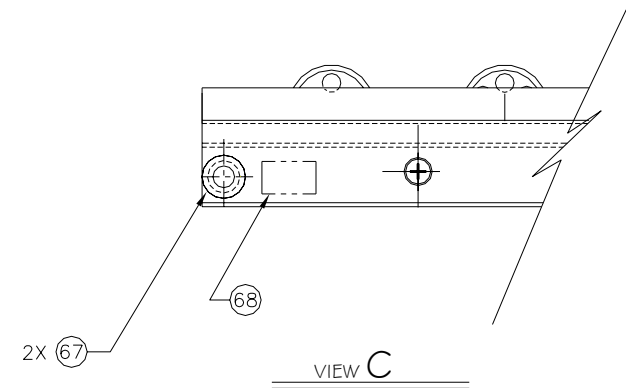


ITEM NO.	PART NO.	NOMENCLATURE	QTY.
1	62020-10	PIN, COVER PLATE RETAINER	2
2	1530PAC0506	PIN, SPIROL-STANDARD DUTY	4
3	62019-12	END BLOCK, CHANNEL	1
4	93085A557	SCREW, FLAT HEAD PHILLIPS	2
5	91385A355	SET SCREW, SELF LOCKING	2
6	62024-12	SLEEVE, AIR BAG PROTECTOR	1
8	47410-11	STOP, ROLLER TRAY	2
9	90271A578	SCREW	2
10	242	THREAD LOCKER	A/R
11	62021-10	AIR BAG ASSY.	1
12	62017-11	COVER PLATE, FRONT	1
13	62017-12	COVER PLATE, REAR	1
18	62018-10	CHANNEL	1
19	60108-37	TRAY ASSEMBLY	1
20	60108-35	TRAY ASSEMBLY	1
67	452	GROMMET	2
68	49219-10	NAME PLATE	A/R

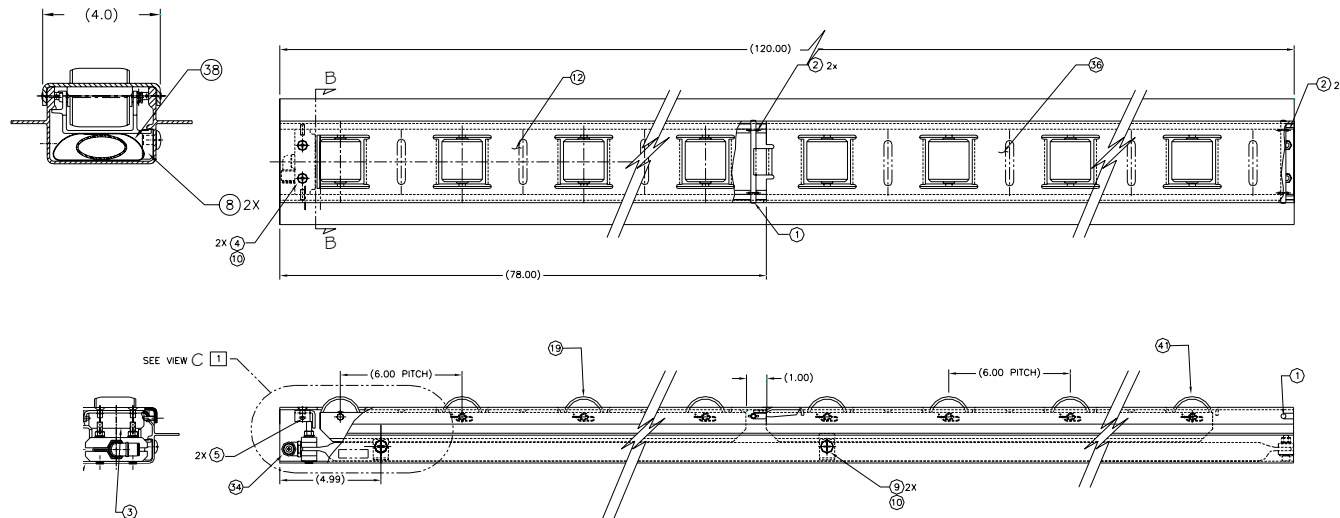
62022-22 ASSEMBLY



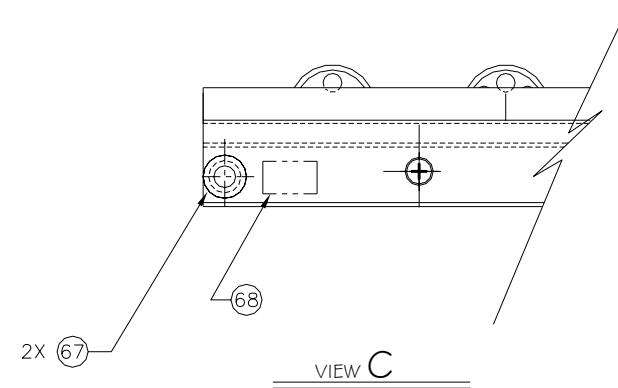
ITEM NO.	PART NO.	NOMENCLATURE	QTY.
1	62020-10	PIN, COVER PLATE RETAINER	2
2	1530PAC0506	PIN, SPIROL-STANDARD DUTY	4
3	62019-12	END BLOCK, CHANNEL	1
4	93085A557	SCREW, FLAT HEAD PHILLIPS	2
5	91385A355	SET SCREW, SELF LOCKING	2
8	47410-11	STOP, ROLLER TRAY	2
9	90271A578	SCREW	2
10	242	THREAD LOCKER	A/R
12	62017-11	COVER PLATE, FRONT	1
19	60108-37	TRAY ASSEMBLY	1
33	62021-12	AIR BAG ASSY.	1
35	62017-16	COVER PLATE, REAR	1
37	62024-12	SLEEVE, AIR BAG PROTECTOR	1
39	60108-49	TRAY ASSEMBLY	1
43	62018-12	CHANNEL	1
67	452	GROMMET	2
68	49219-10	NAME PLATE	A/R



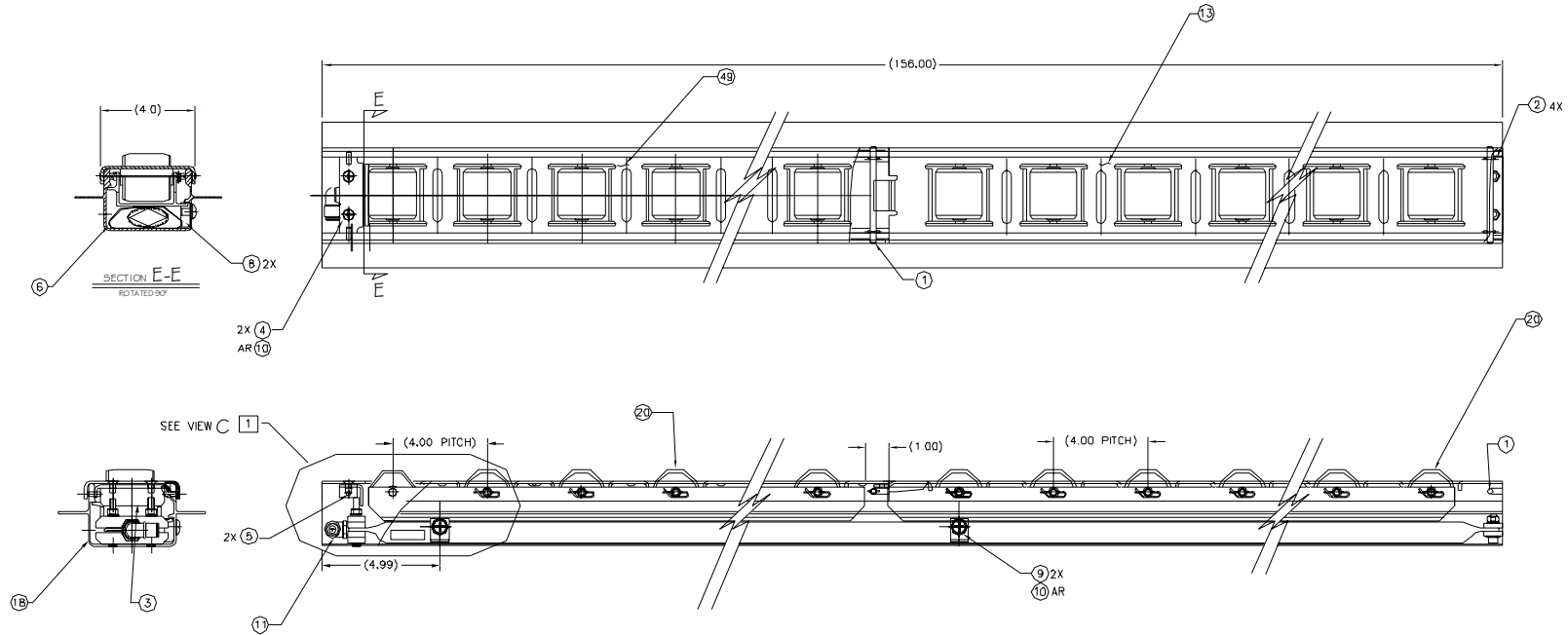
62022-23 ASSEMBLY



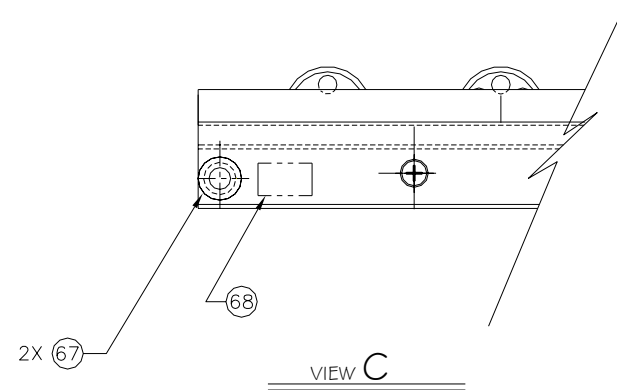
ITEM NO.	PART NO.	NOMENCLATURE	QTY.
1	62020-10	PIN, COVER PLATE RETAINER	2
2	1530PAC0506	PIN, SPIROL-STANDARD DUTY	4
3	62019-12	END BLOCK, CHANNEL	1
4	93085A557	SCREW, FLAT HEAD PHILLIPS	2
5	91385A355	SET SCREW, SELF LOCKING	2
8	47410-11	STOP, ROLLER TRAY	2
9	90271A578	SCREW	2
10	242	THREAD LOCKER	A/R
12	62017-11	COVER PLATE, FRONT	1
19	60108-37	TRAY ASSEMBLY	1
34	62021-13	AIR BAG ASSEMBLY	1
36	62017-17	COVER PLATE, REAR	1
38	62024-12	SLEEVE, AIR BAG PROTECTOR	1
41	60108-17	TRAY ASSEMBLY	1
44	62018-13	CHANNEL	1
67	452	GROMMET	2
68	49219-10	NAME PLATE	A/R



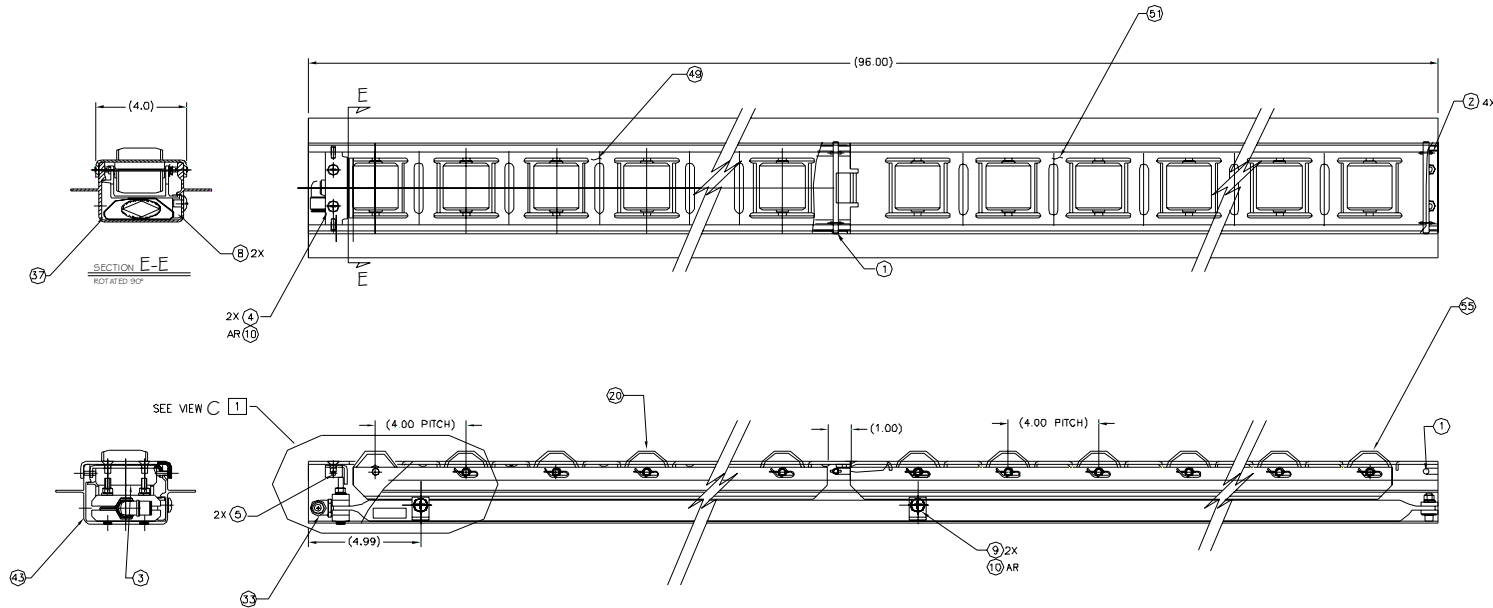
62022-24 ASSEMBLY



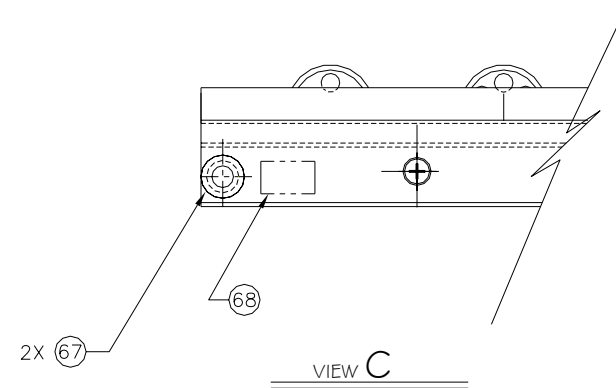
ITEM NO.	PART NO.	NOMENCLATURE	QTY.
1	62020-10	PIN, COVER PLATE RETAINER	2
2	1530PAC0506	PIN, SPIROL-STANDARD DUTY	4
3	62019-12	END BLOCK, CHANNEL	1
4	93085A557	SCREW, FLAT HEAD PHILLIPS	2
5	91385A355	SET SCREW, SELF LOCKING	2
6	62024-12	SLEEVE, AIR BAG PROTECTOR	1
8	47410-11	STOP, ROLLER TRAY	2
9	90271A578	SCREW	2
10	242	THREAD LOCKER	A/R
11	62021-10	AIR BAG ASSEMBLY	1
13	62017-12	COVER PLATE, REAR	1
18	62018-10	CHANNEL	1
20	60108-35	TRAY ASSEMBLY	2
49	62017-18	COVER PLATE, FRONT	1
67	452	GROMMET	2
68	49219-10	NAME PLATE	A/R



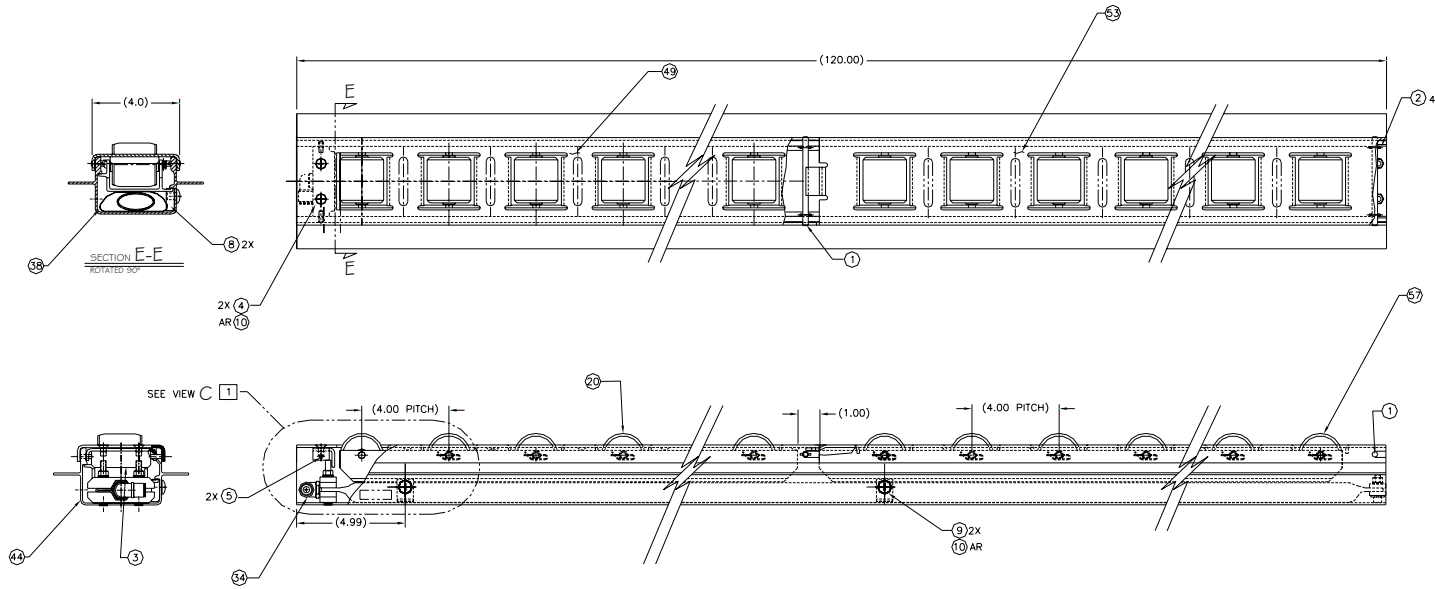
62022-25 ASSEMBLY



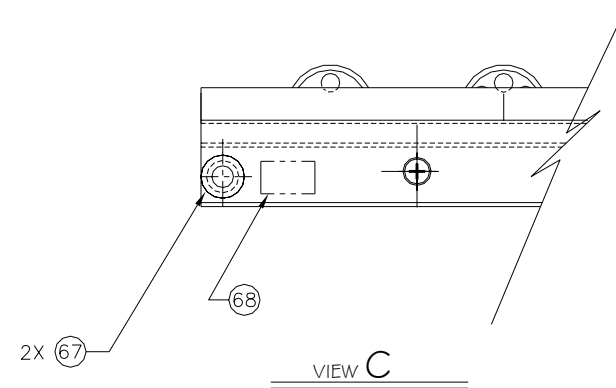
ITEM NO.	PART NO.	NOMENCLATURE	QTY.
1	62020-10	PIN, COVER PLATE RETAINER	2
2	1530PAC0506	PIN, SPIROL-STANDARD DUTY	4
3	62019-12	END BLOCK, CHANNEL	1
4	93085A557	SCREW, FLAT HEAD PHILLIPS	2
5	91385A355	SET SCREW, SELF LOCKING	2
8	47410-11	STOP, ROLLER TRAY	2
9	90271A578	SCREW	2
10	242	THREAD LOCKER	A/R
20	60108-35	TRAY ASSEMBLY	1
33	62021-12	AIR BAG ASSEMBLY	1
37	62024-12	SLEEVE, AIR BAG PROTECTOR	1
43	62018-12	CHANNEL	1
49	62017-18	COVER PLATE, FRONT	1
51	62017-19	COVER PLATE, REAR	1
55	60108-52	TRAY ASSEMBLY	1
67	452	GROMMET	2
68	49219-10	NAME PLATE	A/R



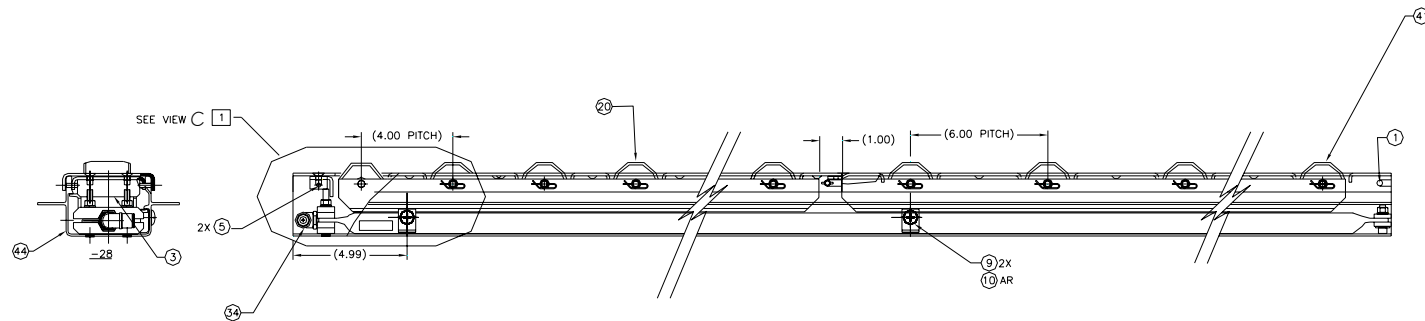
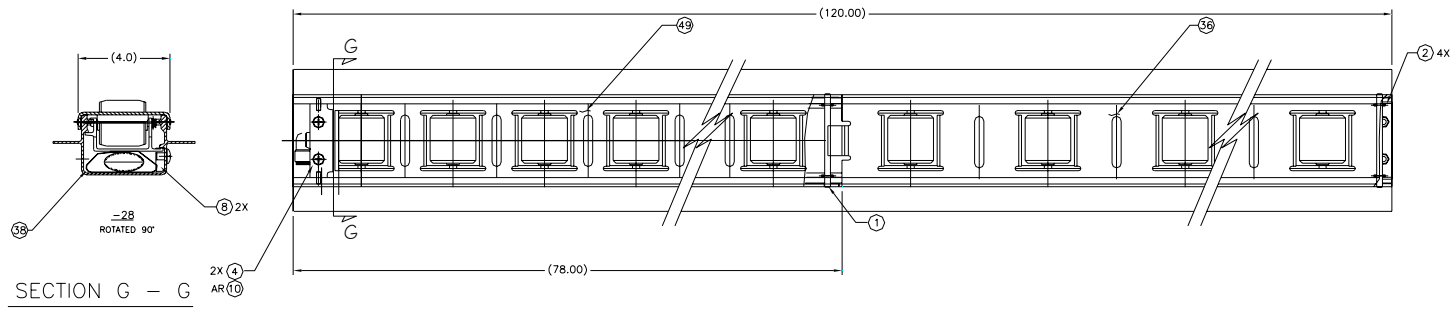
62022-26 ASSEMBLY



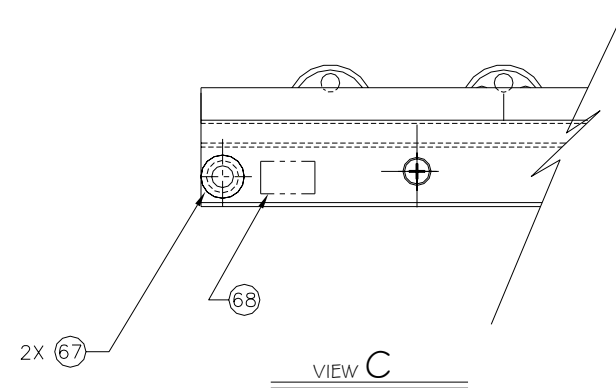
ITEM NO.	PART NO.	NOMENCLATURE	QTY.
1	62020-10	PIN, COVER PLATE RETAINER	2
2	1530PAC0506	PIN, SPIROL-STANDARD DUTY	4
3	62019-12	END BLOCK, CHANNEL	1
4	93085A557	SCREW, FLAT HEAD PHILLIPS	2
5	91385A355	SET SCREW, SELF LOCKING	2
8	47410-11	STOP, ROLLER TRAY	2
9	90271A578	SCREW	2
10	242	THREAD LOCKER	A/R
20	60108-35	TRAY ASSEMBLY	1
34	62021-13	AIR BAG ASSEMBLY	1
38	62024-12	SLEEVE, AIR BAG PROTECTOR	1
44	62018-13	CHANNEL	1
49	62017-18	COVER PLATE, FRONT	1
53	62017-20	COVER PLATE, REAR	1
57	60108-15	TRAY ASSEMBLY	1
67	452	GROMMET	2
68	49219-10	NAME PLATE	A/R



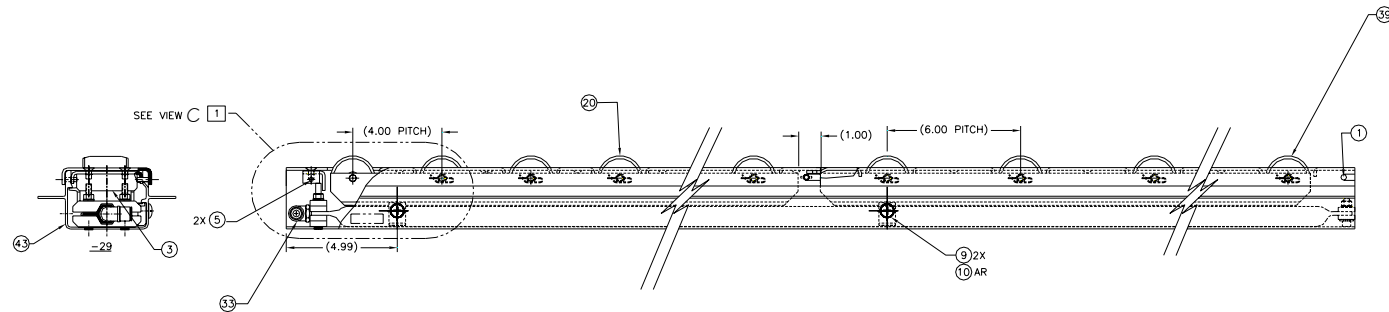
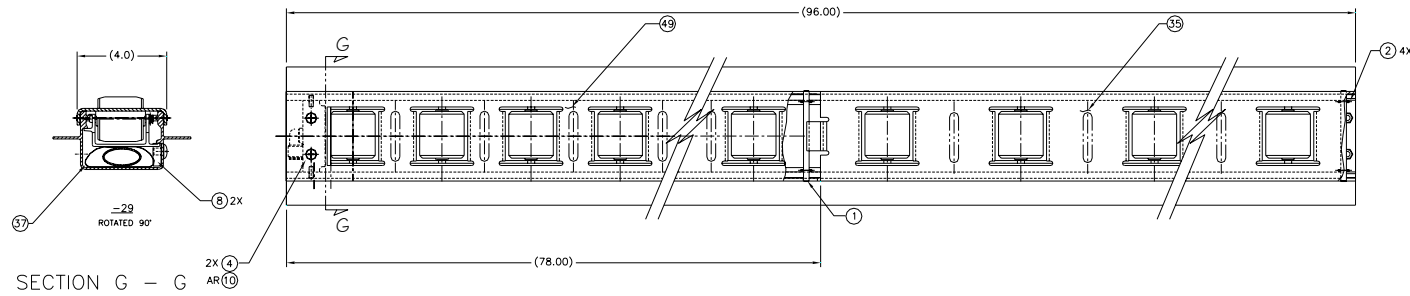
62022-28 ASSEMBLY



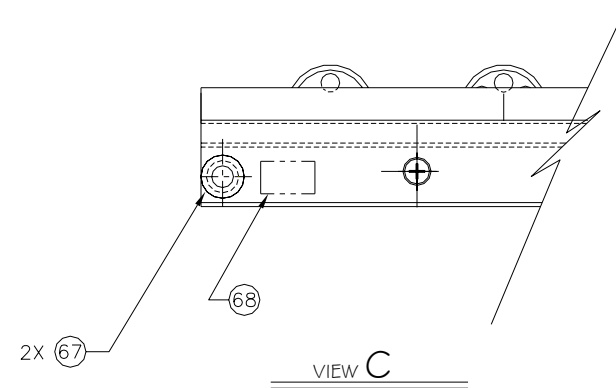
ITEM NO.	PART NO.	NOMENCLATURE	QTY.
1	62020-10	PIN, COVER PLATE RETAINER	2
2	1530PAC0506	PIN, SPIROL-STANDARD DUTY	4
3	62019-12	END BLOCK, CHANNEL	1
4	93085A557	SCREW, FLAT HEAD PHILLIPS	2
5	91385A355	SET SCREW, SELF LOCKING	2
8	47410-11	STOP, ROLLER TRAY	2
9	90271A578	SCREW	2
10	242	THREAD LOCKER	A/R
20	60108-35	TRAY ASSEMBLY	1
34	62021-13	AIR BAG ASSEMBLY	1
36	62017-17	COVER PLATE, REAR	1
38	62024-12	SLEEVE, AIR BAG PROTECTOR	1
41	60108-17	TRAY ASSEMBLY	1
44	62018-13	CHANNEL	1
49	62017-18	COVER PLATE, FRONT	1
67	452	GROMMET	2
68	49219-10	NAME PLATE	A/R



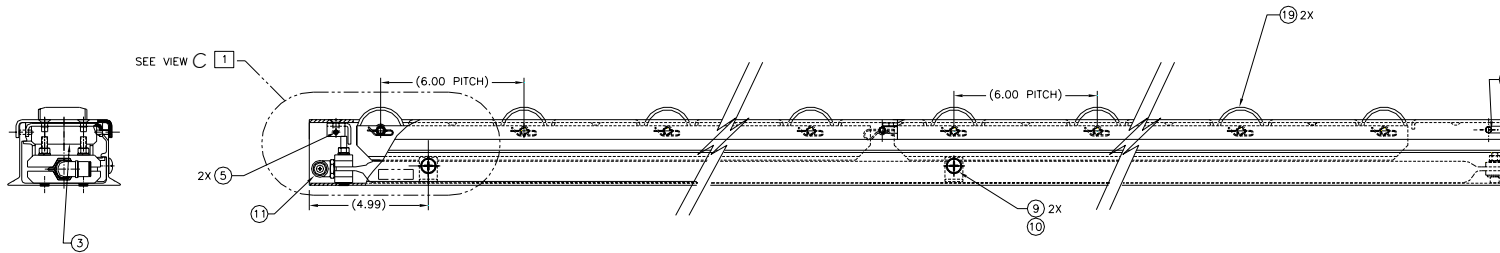
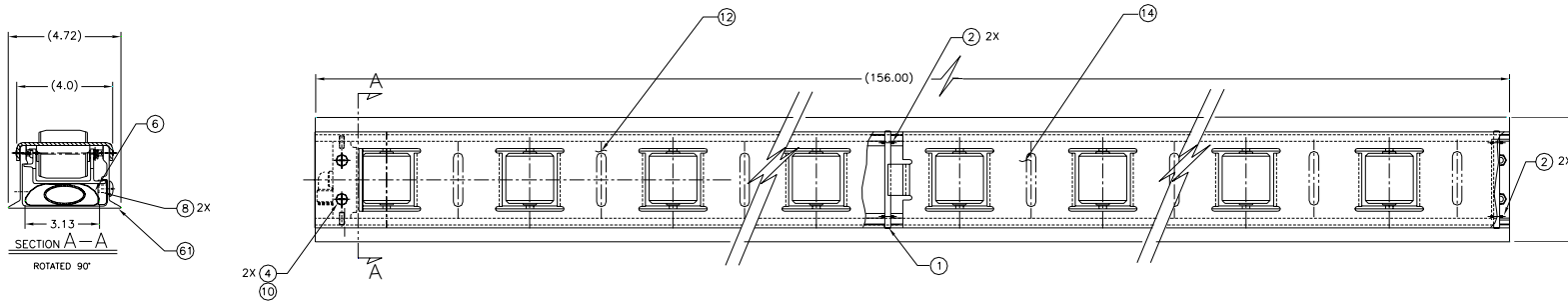
62022-29 ASSEMBLY



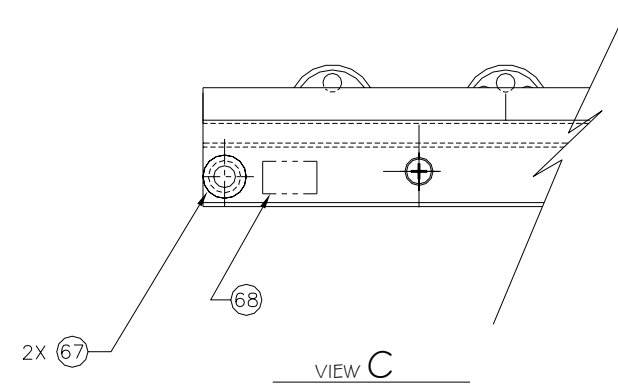
ITEM NO.	PART NO.	NOMENCLATURE	QTY.
1	62020-10	PIN, COVER PLATE RETAINER	2
2	1530PAC0506	PIN, SPIROL-STANDARD DUTY	4
3	62019-12	END BLOCK, CHANNEL	1
4	93085A557	SCREW, FLAT HEAD PHILLIPS	2
5	91385A355	SET SCREW, SELF LOCKING	2
8	47410-11	STOP, ROLLER TRAY	2
9	90271A578	SCREW	2
10	242	THREAD LOCKER	A/R
20	60108-35	TRAY ASSEMBLY	1
33	62021-12	AIR BAG ASSEMBLY	1
35	62017-16	COVER PLATE, REAR	1
37	62024-12	SLEEVE, AIR BAG PROTECTOR	1
39	60108-49	TRAY ASSEMBLY	1
43	62018-12	CHANNEL	1
49	62017-18	COVER PLATE, FRONT	1
67	452	GROMMET	2
68	49219-10	NAME PLATE	A/R



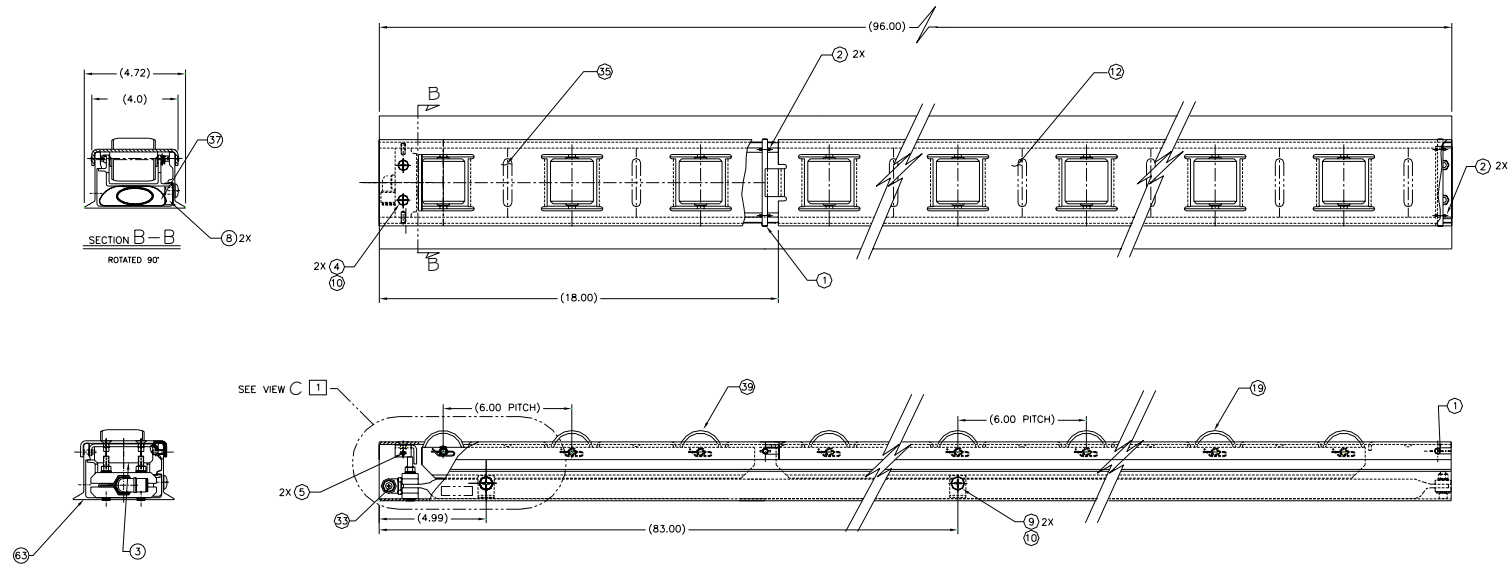
62022-120 ASSEMBLY



ITEM NO.	PART NO.	NOMENCLATURE	QTY.
1	62020-10	PIN, COVER PLATE RETAINER	2
2	1530PAC0506	PIN, SPIROL-STANDARD DUTY	4
3	62019-12	END BLOCK, CHANNEL	1
4	93085A557	SCREW, FLAT HEAD PHILLIPS	2
5	91385A355	SET SCREW, SELF LOCKING	2
6	62024-12	SLEEVE, AIR BAG PROTECTOR	1
8	47410-11	STOP, ROLLER TRAY	2
9	90271A578	SCREW	2
10	242	THREAD LOCKER	A/R
11	60108-35	TRAY ASSEMBLY	1
12	62021-12	AIR BAG ASSEMBLY	1
14	62017-16	COVER PLATE, REAR	1
19	62024-12	SLEEVE, AIR BAG PROTECTOR	2
61	60108-49	TRAY ASSEMBLY	1
67	452	GROMMET	2
68	49219-10	NAME PLATE	A/R

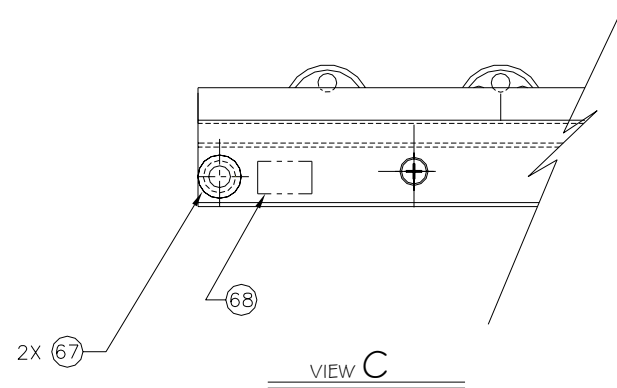


62022-122 ASSEMBLY

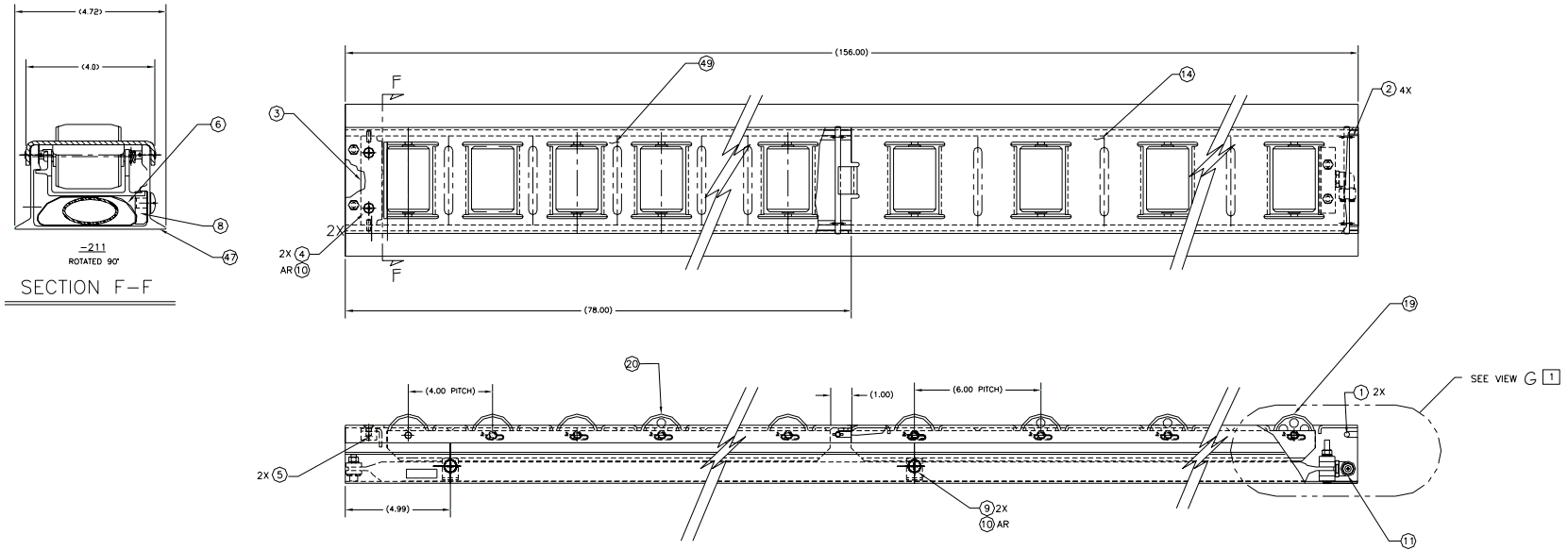


-122

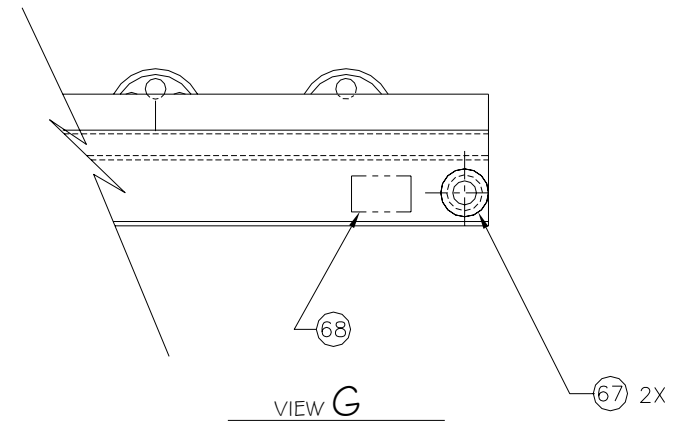
ITEM NO.	PART NO.	NOMENCLATURE	QTY.
1	62020-10	PIN, COVER PLATE RETAINER	2
2	1530PAC0506	PIN, SPIROL-STANDARD DUTY	4
3	62019-12	END BLOCK, CHANNEL	1
4	93085A557	SCREW, FLAT HEAD PHILLIPS	2
5	91385A355	SET SCREW, SELF LOCKING	2
8	47410-11	STOP, ROLLER TRAY	2
9	90271A578	SCREW	2
10	242	THREAD LOCKER	A/R
12	62021-12	AIR BAG ASSEMBLY	1
19	62024-12	SLEEVE, AIR BAG PROTECTOR	2
33	62021-12	AIR BAG ASSEMBLY	1
35	62017-16	COVER PLATE, REAR	1
37	62024-12	SLEEVE, AIR BAG PROTECTOR	1
39	60108-49	TRAY ASSEMBLY	1
63	62018-22	CHANNEL	1
67	452	GROMMET	2
68	49219-10	NAME PLATE	A/R



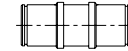
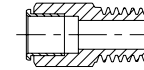
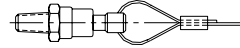
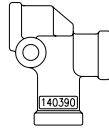
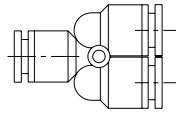
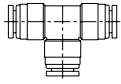
62022-211 ASSEMBLY



ITEM NO.	PART NO.	NOMENCLATURE	QTY.
1	62020-10	PIN, COVER PLATE RETAINER	2
2	1530PAC0506	PIN, SPIROL-STANDARD DUTY	4
3	62019-12	END BLOCK, CHANNEL	1
4	93085A557	SCREW, FLAT HEAD PHILLIPS	2
5	91385A355	SET SCREW, SELF LOCKING	2
6	62024-12	SLEEVE, AIR BAG PROTECTOR	1
8	47410-11	STOP, ROLLER TRAY	2
9	90271A578	SCREW	2
10	242	THREAD LOCKER	A/R
11	62021-10	AIR BAG ASSEMBLY	1
14	62017-10	COVER PLATE, REAR	1
19	62024-12	SLEEVE, AIR BAG PROTECTOR	2
20	60108-35	TRAY ASSEMBLY	1
47	62018-26	CHANNEL-RA	1
49	62017-18	COVER PLATE, FRONT	1
67	452	GROMMET	2
68	49219-10	NAME PLATE	A/R



AIR TANK/FITTINGS KITS



47065-10

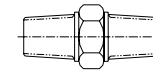
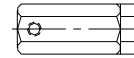
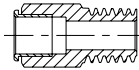
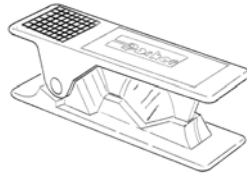
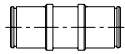
49267-10

47058-13

47230-10

47061-13

62034-10



62034-11

47056-10

47061-14

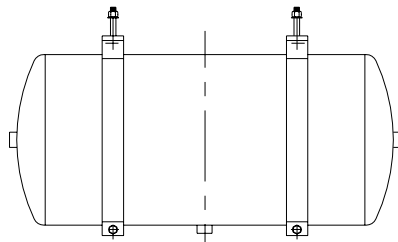
47046-12

47051-13

47082-11



47082-10



47068-11

PART NUMBER	NOMENCLATURE	INFORMATION	62023-48 KIT QTY.	62023-49 KIT QTY.
47049-10	TUBING	1/4" DIA. X 5 FT.	1	1
47065-10	FITTING, TEE TUBE		7	7
49267-10	FITTING, TUBE TO TUBE, Y		12	12
47058-13	VALVE PRES. PROTECTION		1	1
47230-10	VALVE, DRAIN-AIR TANK		1	2
47061-13	ADAPTOR, PIPE TO TUBE	1/4" NPT TO 3/8" TUBE	3	3
62034-10	FITTING, TUBE TO TUBE, 3/8"		2	2
62034-11	FITTING, TUBE TO TUBE, 1/4"		1	1
47056-10	TUBE CUTTER		1	1
47049-11	TUBING	3/8" DIA. X 220 FT.	1	1
47061-14	ADAPTOR, PIPE TO TUBE	3/8" NPT TO 3/8" TUBE	4	4
47046-12	VALVE, CHECK		2	2
47051-13	NIPPLE - HEX	1/4" NPT TO 3/8" NPT	2	2
47068-11	AIR TANK KIT		1	2
47082-10	WARNING DECAL, NO STEP		1	1
47082-11	WARNING DECAL, NO DRIVE		1	1

CONTROL BOX/FITTINGS



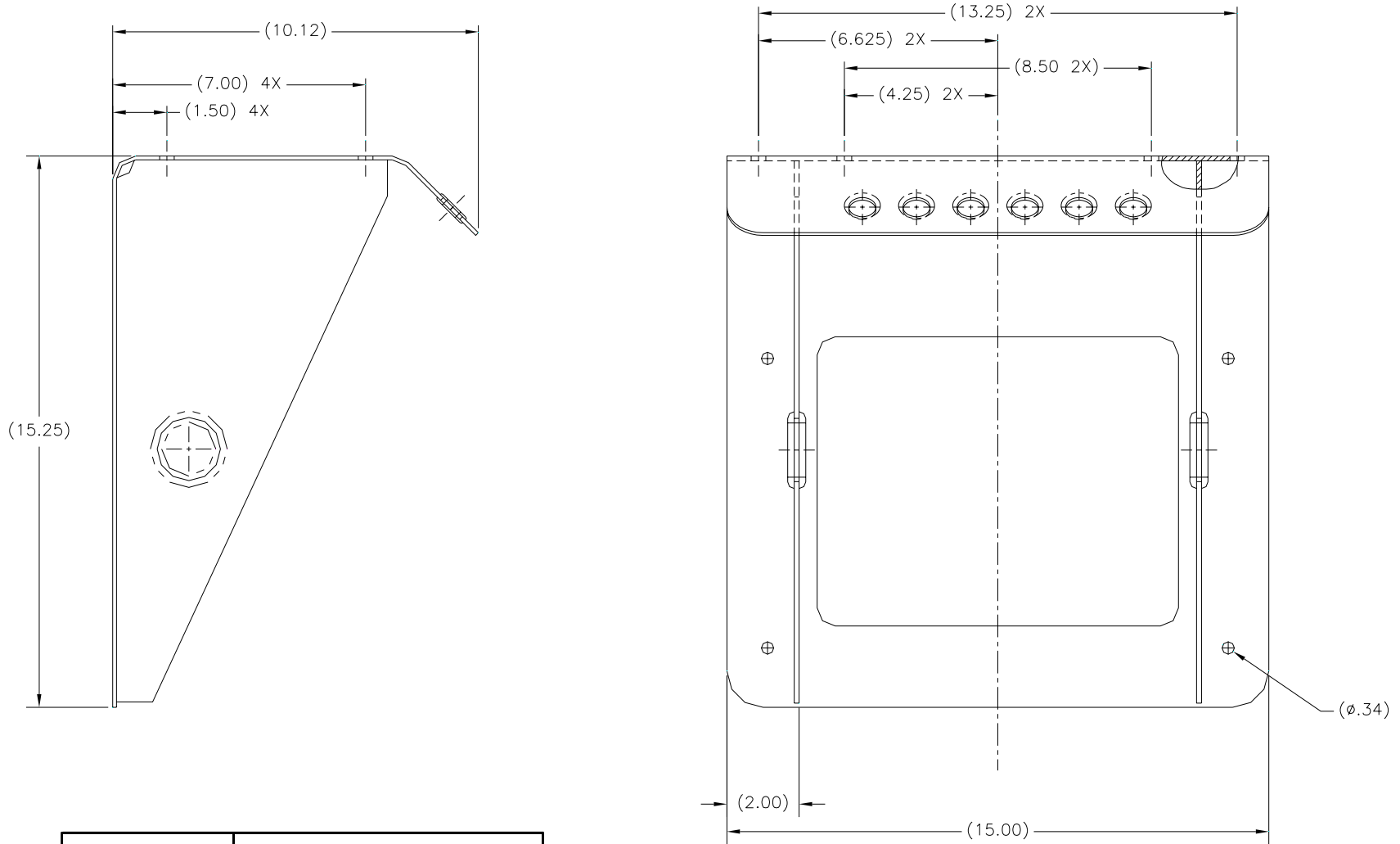
PART NUMBER	NOMENCLATURE
62011-13P	CONTROL BOX

CONTROL BOX/FITTINGS



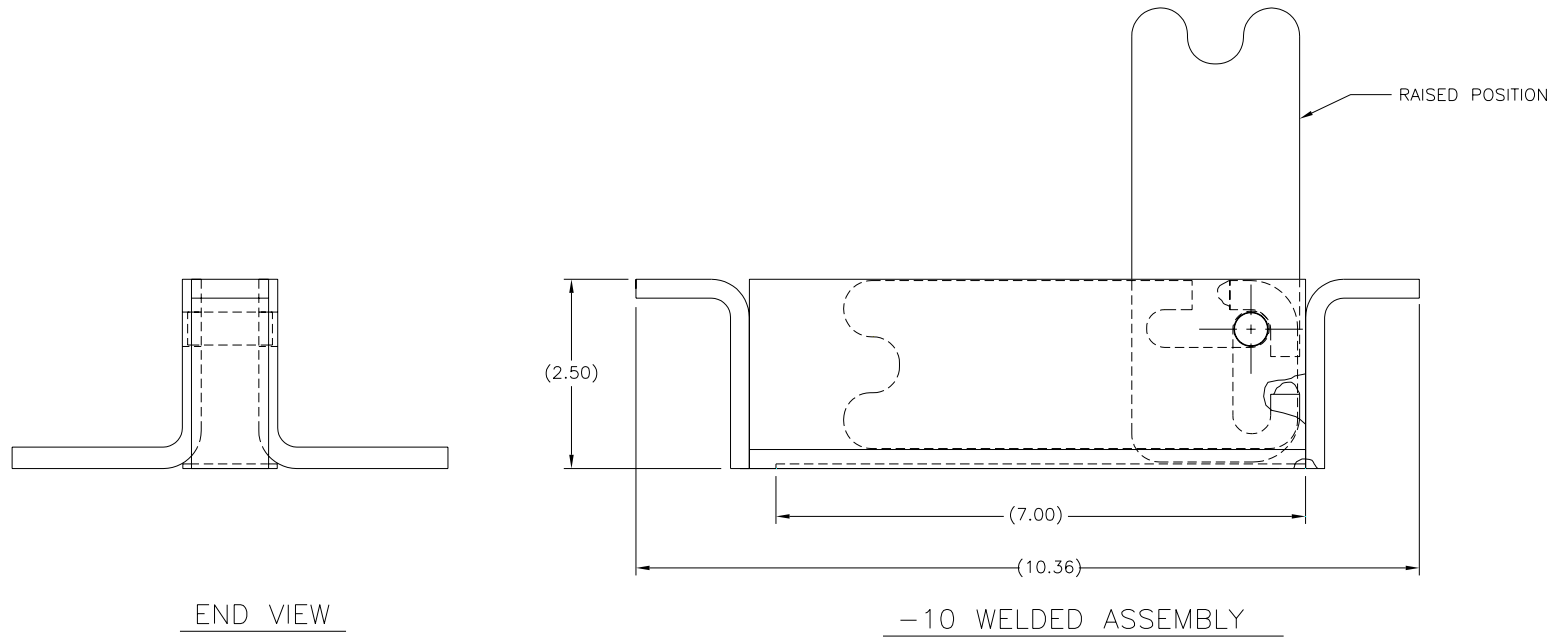
PART NUMBER	NOMENCLATURE	NOTES
62011-10P	CONTROL BOX	REPLACED BY 62011-13P

CONTROL BOX BRACKET



PART NUMBER	NOMENCLATURE
62063-10	CONTROL BOX BRACKET

PALLET STOPS



PART NUMBER	NOMENCLATURE
62036-10	PALLET STOPS